

A

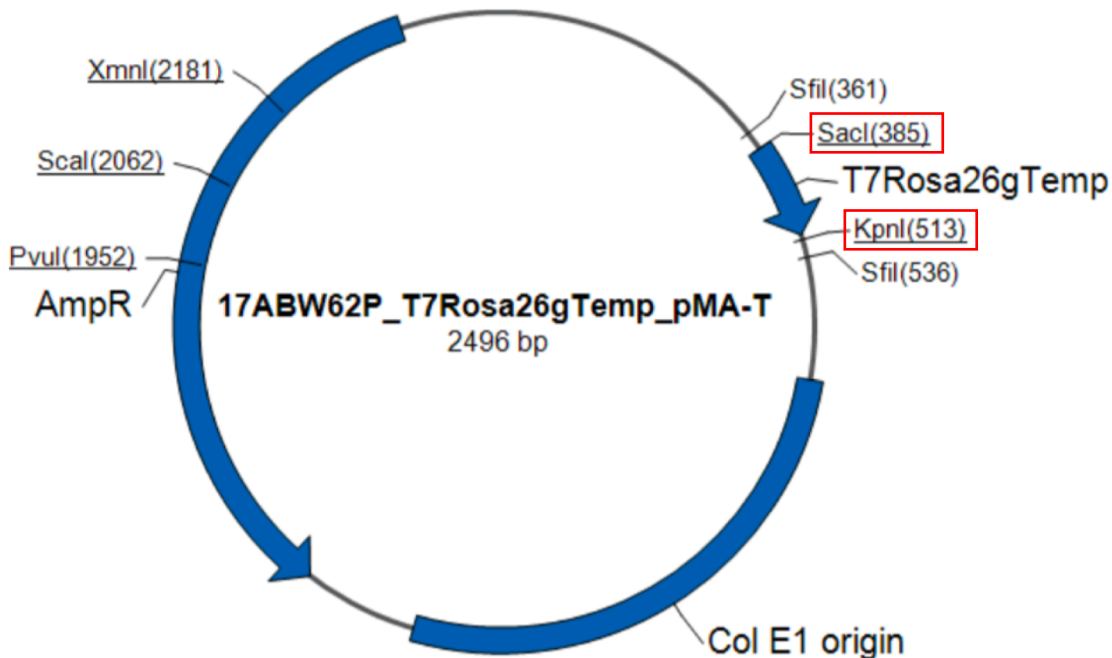
**SacI**      T7 promoter      mRosa26      guide  
5' --GAGCTC TAATACGACTCACTATAGGGGACTGGAGTTGCAGATCACGGTTTTAGAGCT  
3' --CTCGAGATTATGCTGAGTGATATCCCCTGACCTCAACGTCTAGTGCCAAAATCTCGA

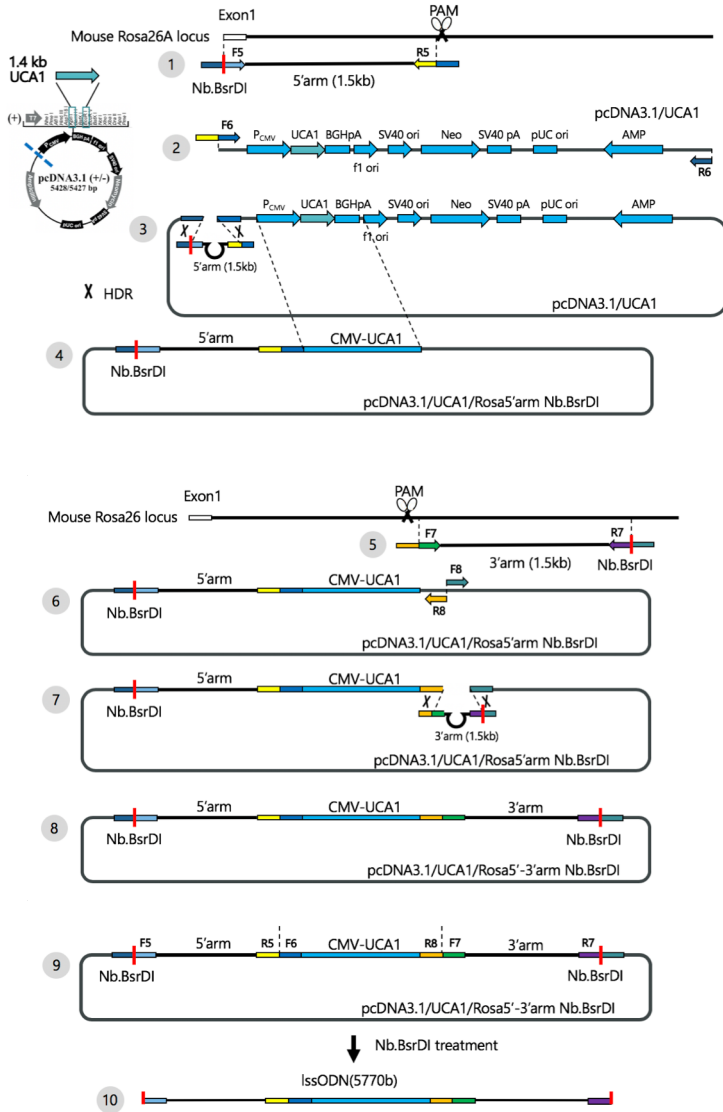
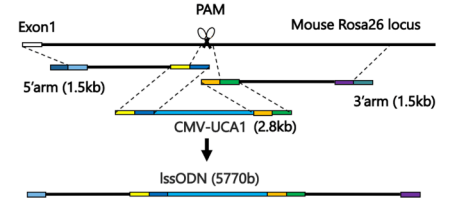
AGAAATAGCAAGTTAAAATAAGGCTAGTCCGTTATCAACTTGAAAAAGTGGCACCCGAGT  
TCTTTATCGTTCAATTTTATTCCGATCAGGCAATAGAAGAACTTTTTCACCGTGGCTCA

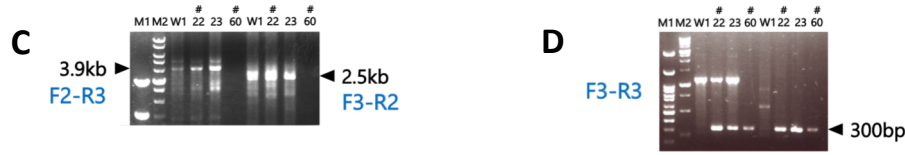
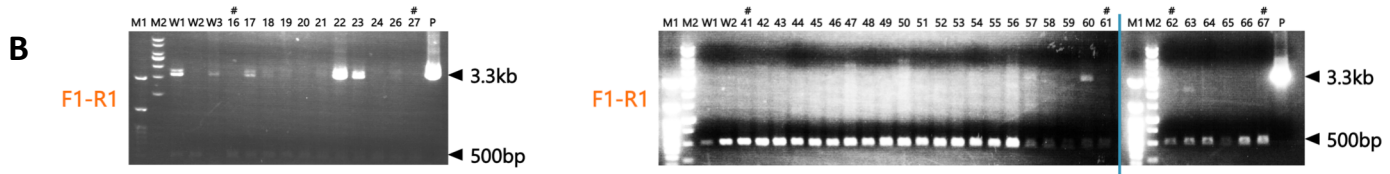
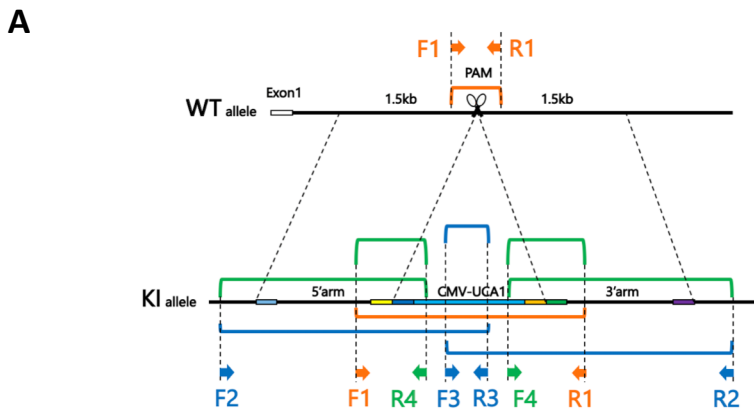
**KpnI**  
CGGTGCTTTTTTGGTACC---3'  
GCCACGAAAAAACCATGG---5'

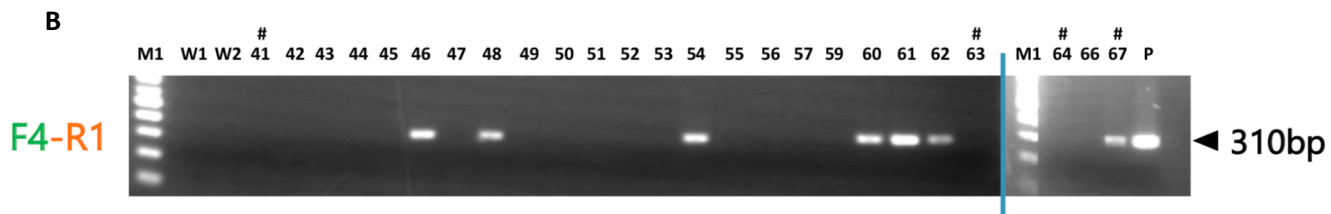
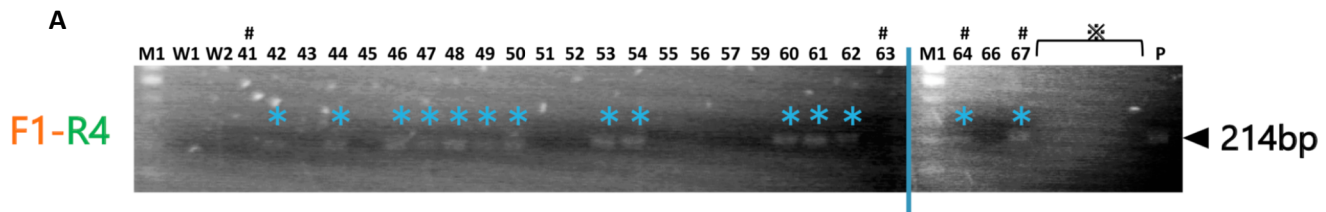
B

### Plasmid Map:

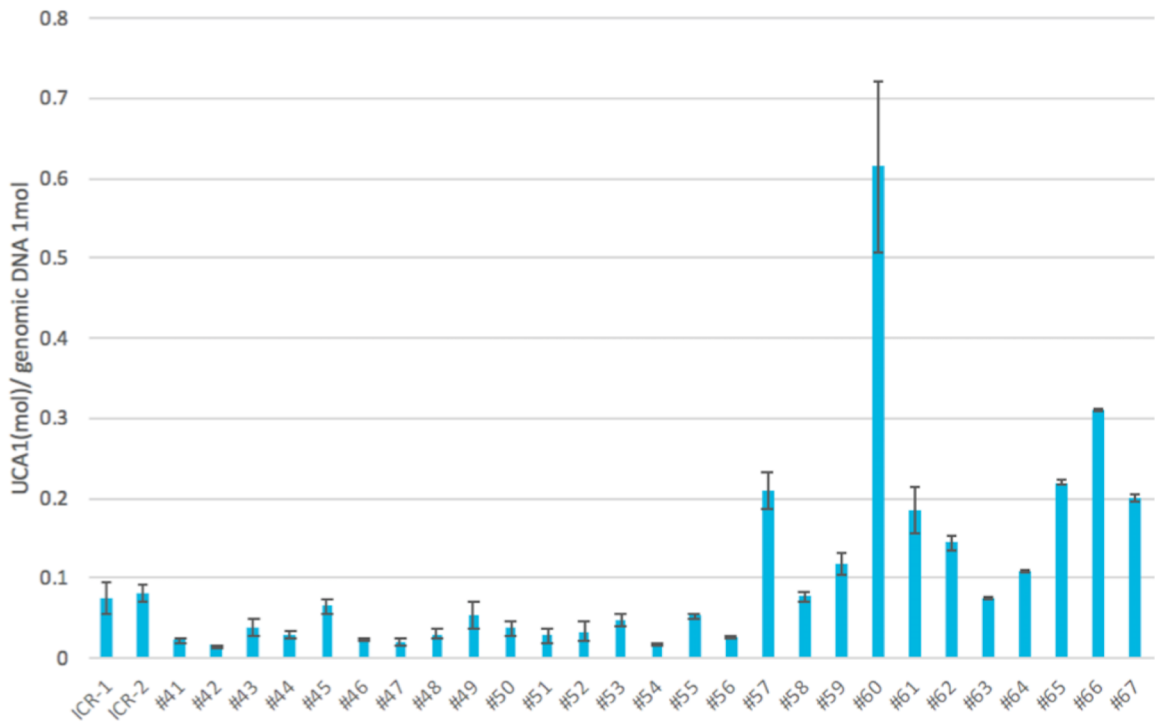


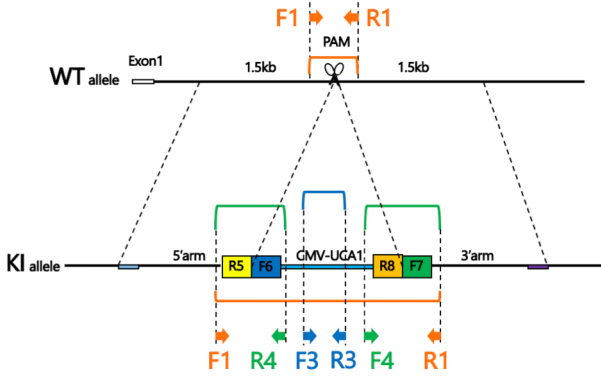
**A****B**

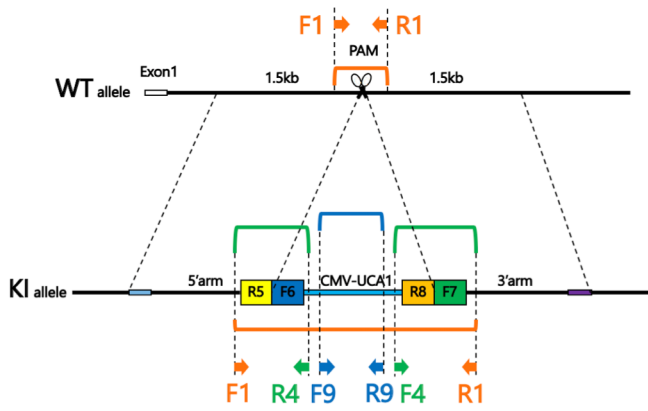
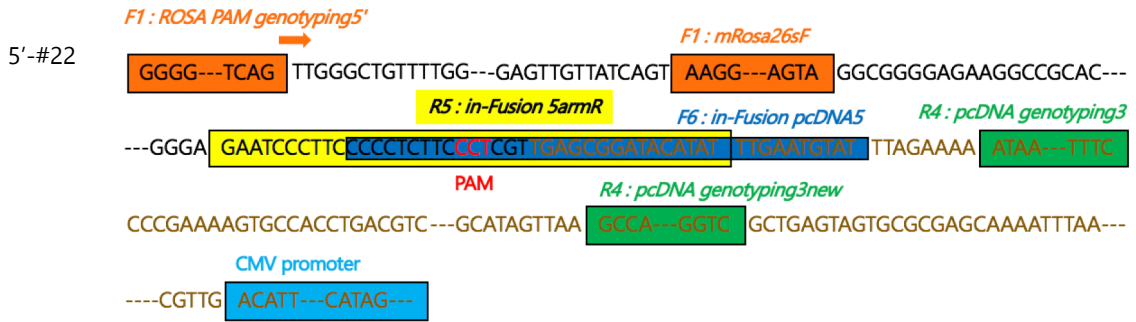
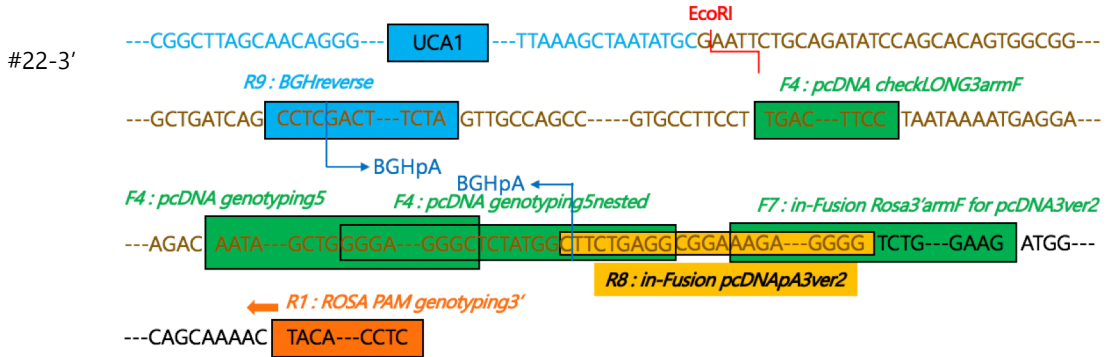




### Dual-labeled real-time PCR



**A****B****C****D****E****F**

**A****B****C**

pcDNA3.1

Rosa26

UCA1 or UCA1

**D****E**